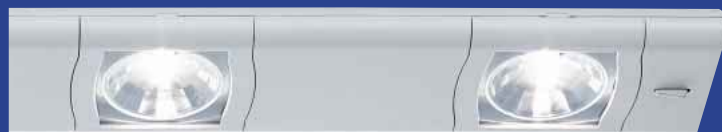




Perfect light
beautifully served.



LUMILINE® EL



HALONEA®

SEE THE WORLD IN A NEW LIGHT

OSRAM

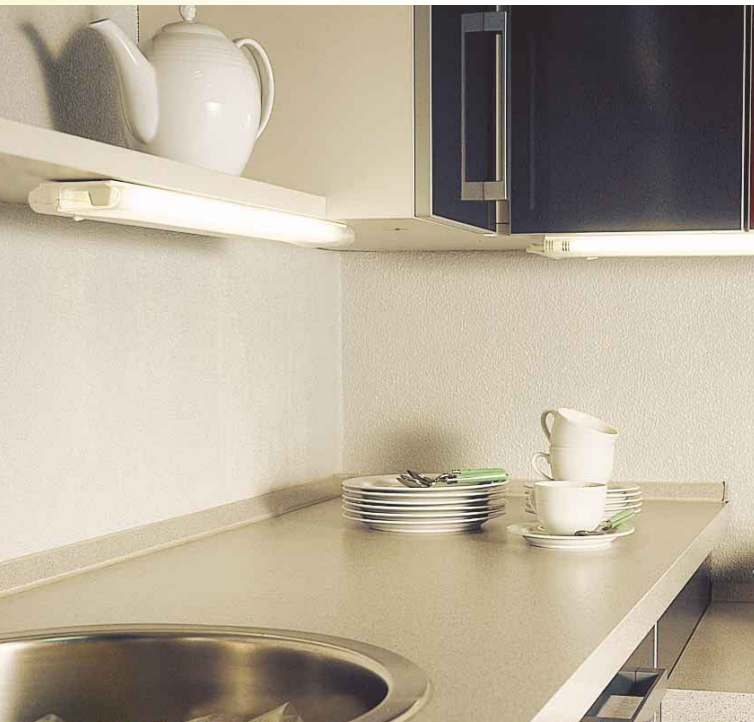


The slimline choice for

The perfect solution for all your lighting needs

The LUMILINE® EL and HALONEA® furniture luminaire systems are compatible in terms of their styling and cross-sections, opening up a wide range of applications in kitchens, living rooms and work rooms. Whether LUMILINE® and HALONEA® are used as under-cupboard lights or for illuminating shelves, display cabinets or worktops, they provide bright light in places that had previously been too small to take a light. And you have a choice of warm light for even illumination over a work surface or brilliant accented halogen light for special effects.

LUMILINE® EL and HALONEA® are suitable for installation in and on furniture.



greater variety



Team work broadens the options

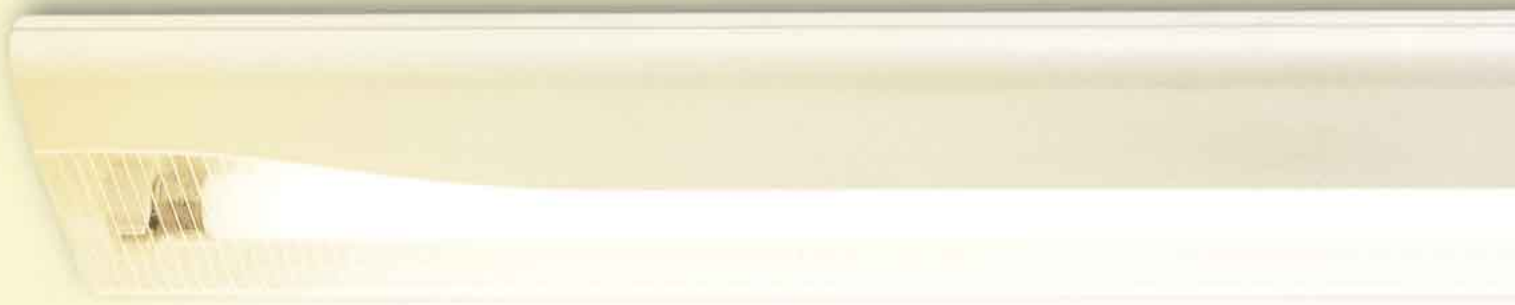
LUMILINE® EL and HALONEA® are ready for installation, complete with switch, 2 m mains cable and Euro plug. Any luminaire can be used individually – or in combination with any other LUMILINE® EL or HALONEA® to form strip lighting (maximum of 8).

A standardised plug system with a short plug adapter (included) and connecting cables of different lengths (10, 60 and 100 cm; available as accessories) means the luminaires can be quickly and easily wired together. They can be installed with or without a space between them and either in straight lines or at right angles.

Luminaires can be attached in both directions using the plug system, making the entire system even more versatile. The sockets enable household appliances for example to be plugged in directly above the work surface, and the switch allows the strip lighting to be switched on and off from a single point.

A two-way socket element and a socket/switch element are available as special accessories (earthed sockets, 2 m mains cable included). Both are designed to match the LUMILINE® and HALONEA® and have to be used as power feed elements.





Warm widespread light: LUMILINE® EL

More light

LUMILINE® EL 8 W and 13 W are new stylish super low-profile luminaires for concealed installation under cupboards and so on. These batten luminaires are suitable for many mounting conditions and bring warm uniform light wherever it is needed.



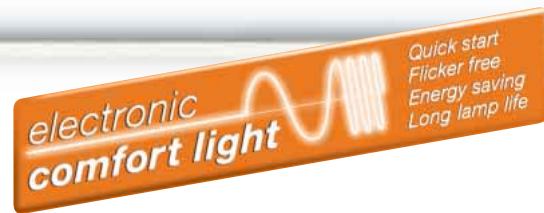
The ideal connection:



More comfort

The large light field of the LUMILINE® EL, which extends right across the diagonal, provides a large amount of light and good illumination on work surfaces.

LUMILINE® EL luminaires are equipped with modern electronic control gear, for flicker-free light and low thermal output from the luminaire.

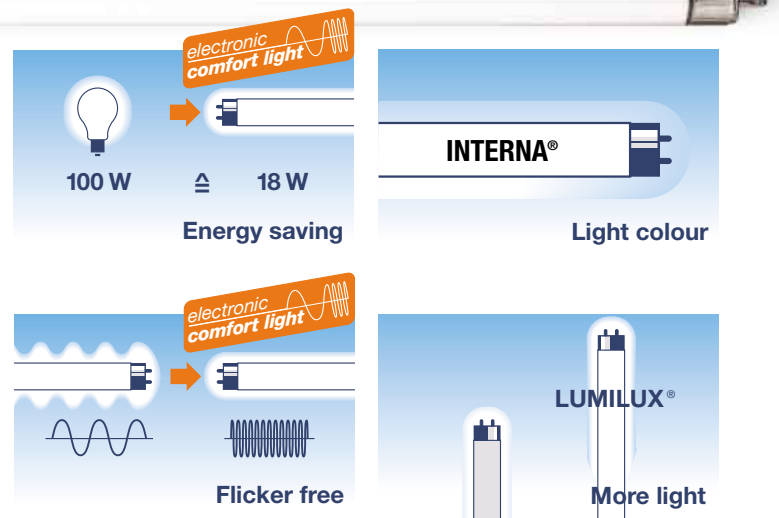


The integrated LUMILUX® 16 mm fluorescent lamp with its LUMILUX INTERNA® light colour provides even more light and impressive economy.

- Up to 35 % more light than the Universal White light colour
- At 8 W and 13 W, as bright as ordinary 40 W and 75 W light bulbs

In conjunction with LUMILUX® lamps, LUMILINE® EL achieves higher levels of lighting comfort and greater economy than conventional batten luminaires with conventional control gear. Benefits of operation with electronic control gear:

- Energy savings
- Longer lamp life
- Faster flicker-free starting
- Silent, flicker-free operation
- Greater reliability
- Lower thermal output
- Automatic shutdown at the end of the lamp's life



LUMILINE® EL and HALONEA®



Brilliant accented light: HALONEA®

Now you see it, now you don't

The new HALONEA® is ideal for special accent lighting in kitchens, living rooms and work rooms. The super low-profile halogen batten luminaire is available in 2 x 10 W and 3 x 10 W versions and can be installed in furniture.

With its brilliant light it will pick out every detail – without standing out itself. Like the LUMILINE® EL, the HALONEA® is attractively styled and only 24 mm high. The focus of attention is the large reflector set deep in the luminaire.





*electronic
comfort light*



*Energy saving
Long lamp life*

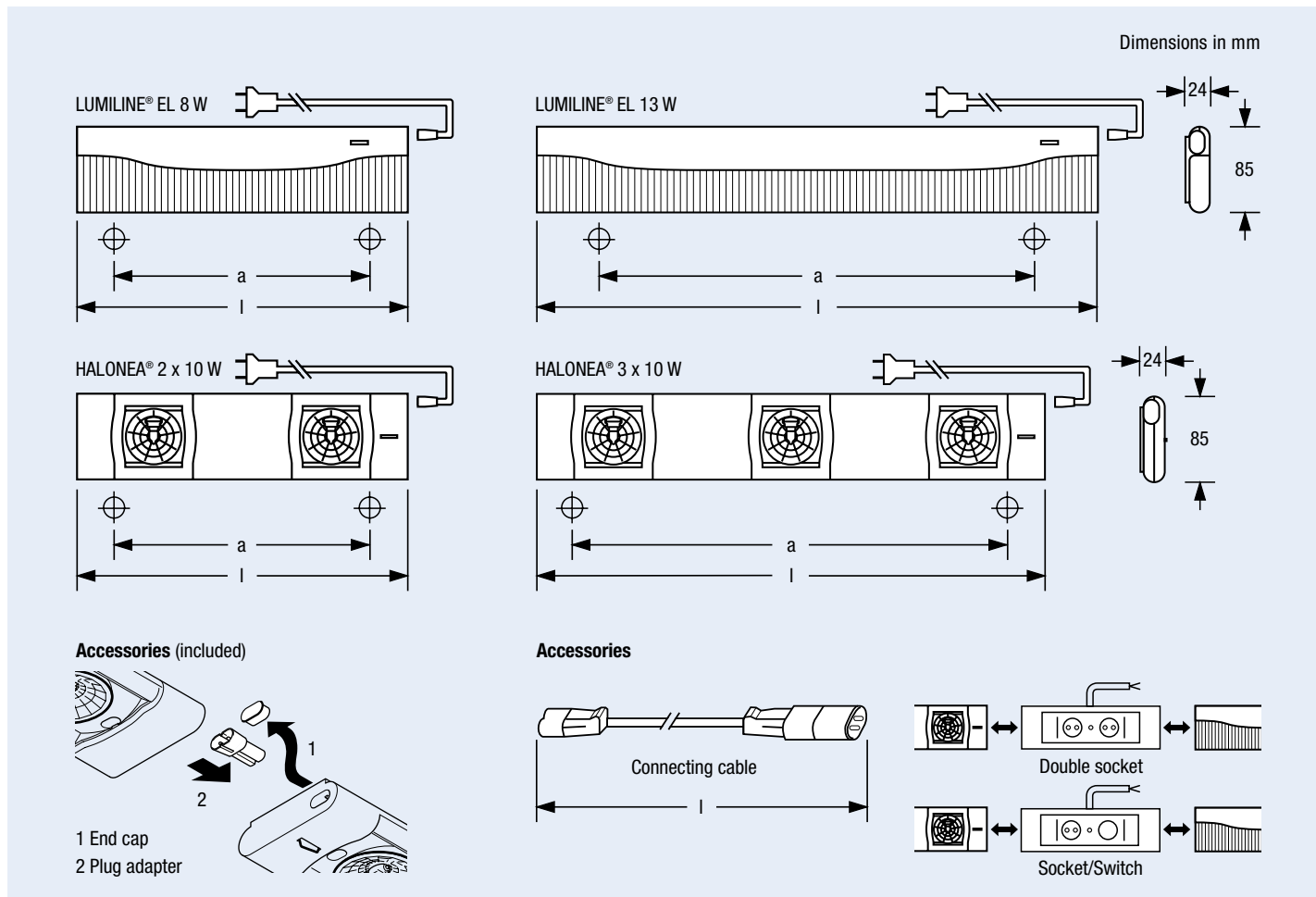
Obvious quality

The integrated OSRAM HALOSTAR® low-voltage halogen lamps offer extensive UV protection thanks to their UV-absorbent quartz. The electronic transformer helps provide greater reliability, longer life and greater economy than is the case with conventionally operated halogen luminaires.

Changing lamps is child's play. No tools are needed. All you have to do is remove the lamp cover, replace the lamp, replace the cover and click back in place.



Technical data



Type	LUMILINE® EL 8 W	LUMILINE® EL 13 W	HALONEA® 2 x 10 W	HALONEA® 3 x 10 W
Product reference	73120	73130	41135	41136
Product number (EAN)	4050300 769714	4050300 769738	4050300 784519	4050300 784540
Mains voltage/frequency	230-240 V / 50-60 Hz	230-240 V / 50-60 Hz	230 V / 50-60 Hz	230 V / 50-60 Hz
Rated wattage	8 W	13 W	2 x 10 W	3 x 10 W
Length l	328 mm	557 mm	328 mm	504 mm
Distance between mounting holes a	240 mm	469 mm	246 mm	422 mm
Colour	White	White	White	White
Equipped with lamp	LUMILUX® 8W/827	LUMILUX® 13W/827	HALOSTAR® 10W/12V	HALOSTAR® 10W/12V
Standard pack	4 pcs	4 pcs	4 pcs	4 pcs
Type of protection	IP 20	IP 20	IP 20	IP 20
Protection class	□	□	□	□
Approval marks	∇ ∇ ∇	∇ ∇ ∇	∇ ∇ ∇	∇ ∇ ∇

Accessories	Connecting cable 100 mm	Connecting cable 600 mm	Connecting cable 1000 mm
Product reference	74101-52	74101-53	74101-54
Product number (EAN)	4050300 125602	4050300 125626	4050300 125640
Length l	100 mm	600 mm	1000 mm

Accessories	Double socket	Socket/Switch
Product reference	41137	41138
Standard pack	4 pcs	4 pcs
Type of protection	IP 20	IP 20
Protection class	□	□

∇ ∇ ∇ German symbol defined in VDE 0710 Part 14 for luminaires for installing in and on furniture ("furniture luminaires"); the luminaires are suitable for mounting on materials for which the flammability properties are not known.

