



Tried and trusted millions
of times. Now even further
developed. Simply good.

LUMINESTRA® EL – the classic cabinet light,
now with ECG



SEE THE WORLD IN A NEW LIGHT

OSRAM





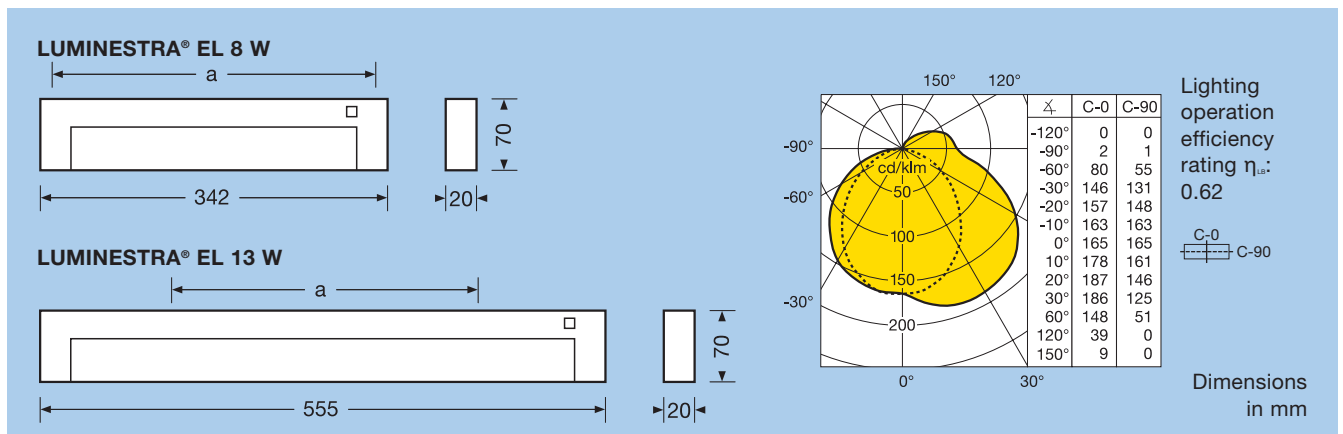
Flicker-free because of its electronic control gear: clear, even working light

Flicker-free due to its ECG

The LUMINESTRA® EL cabinet light is the logical further development of a classic product that has proved its worth millions of times. Its high-quality electronic control gear ensures that there will be no flickering when the lamp is switched on, nor when it is use, and that it works without a sound. The ECG, compared with conventional operation, saves up to 30 percent of the energy and also enables the lamp to last longer. Moreover, the prismatic cover on the LUMINESTRA® EL reaches well round the edge and provides sufficient light for all kinds of work. As the low-energy ECG generates less heat, the very flat LUMINESTRA® EL is suitable for confined spaces such

as underneath kitchen cabinets, in glass-fronted cupboards, or underneath shelves. Its ergonomic light also makes it ideal for use as a working luminaire. An adapter is enclosed with the lamp that enables up to 10 LUMINESTRA® EL lamps to be combined into a strip of lighting. Because they both have the same cross-section, the LUMINESTRA® EL can also be combined with the HALONESTRA®. The accessory socket-switch element enables this strip of lighting to be switched centrally. If additional power sockets are required, the double socket element can be connected by means of an adapter.

Technical data



	LUMINESTRA® EL 8 W	LUMINESTRA® EL 13 W
Product no.	73071	73081
Mains voltage	230–240 V/50–60 Hz	230–240 V/50–60 Hz
Rated wattage	8 W	13 W
Mounting hole spacing a	320 mm	300 / 485 mm
Order no., EAN	4050300008738	4050300008745
Colour	White	White
Standard pack	4	4
Complete with lamp	LUMILUX® L 8 W/827 INTERNA	LUMILUX® L 13 W/827 INTERNA
Type of protection	IP 20	IP 20
Protection class	□	□
Approval marks	∇ W W	∇ W W