

Technical Information

No. FO 4179

Edition 08/05 - subject to change

Substitutes: Edition 07/02

Status: valid

Xenon Short Arc Lamp

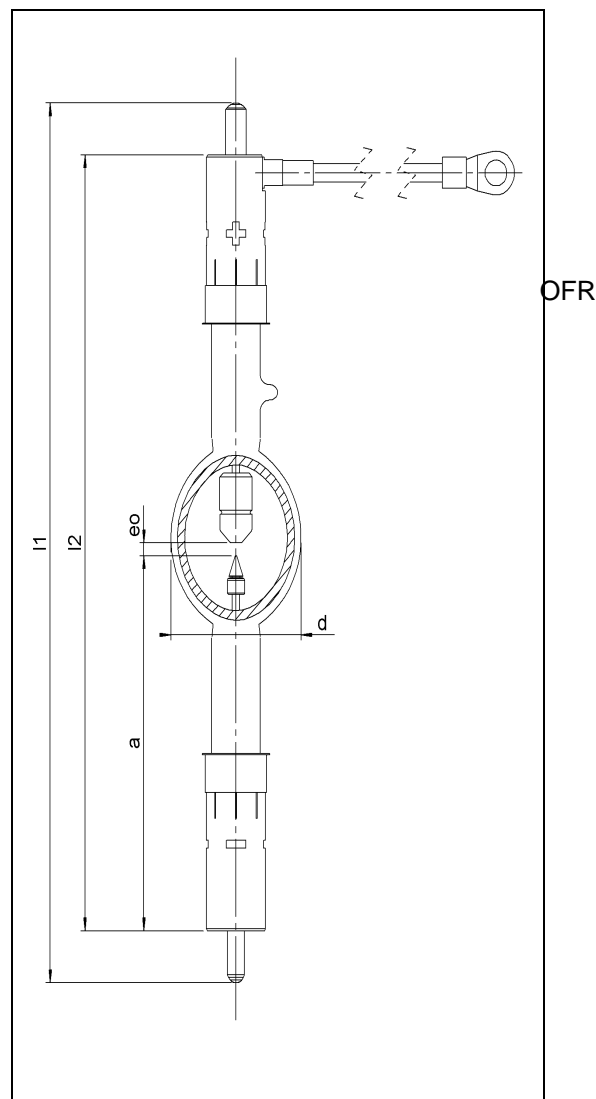
XBO[®] 1600 W/CA OFR

■ Product description

The OSRAM XBO[®] 1600 W/CA OFR is a DC-operated lamp that is especially suited for applications requiring excellent arc stability and a high luminance. The OSRAM XBO[®] 1600 W/CA OFR is designed for vertical burning position.

■ Technical data

Order reference	XBO [®] 1600 W/CA OFR	
Rated lamp wattage	W	1,600
Rated lamp voltage	V	24
Rated lamp current (DC)	A	65
Current control range	A	45 – 75
Ignition voltage	kV _P	36
Min. open circuit voltage for cold / hot ignition	V	65 / 70
Luminous flux	lm	60,000
Luminous intensity	cd	6,000
Average luminance	cd/cm ²	65,000
Luminous area w x h *)	mm	1.4 x 4.0
Electrode gap e (cold)	mm	4.8
Lamp length (overall) l ₁	mm	max. 370
Lamp length l ₂	mm	max. 322
LCL a	mm	143
Bulb diameter d	mm	52
Average service life	h	3,000
Warranty	h	2,400
Base	Cathode	SFa 27-12
	Anode	SFaX 27-10



*) w = luminance half width value; h = height of luminous area (corresponds to electrode gap, hot)

■ Lamp operation

Maximum permissible base temperature	230°C
Cooling requirements	forced cooling / fan
Min. air flow velocity around discharge vessel	3 m/s
Operating position	s 30 (vertical ± 30° ; anode up)