

Technical Information

No. 4414

Edition: 08/05 - subject to change

Substitutes: Edition 01/04

Status: valid

Xenon Short Arc Lamp

XBO[®] 2500 W OFR

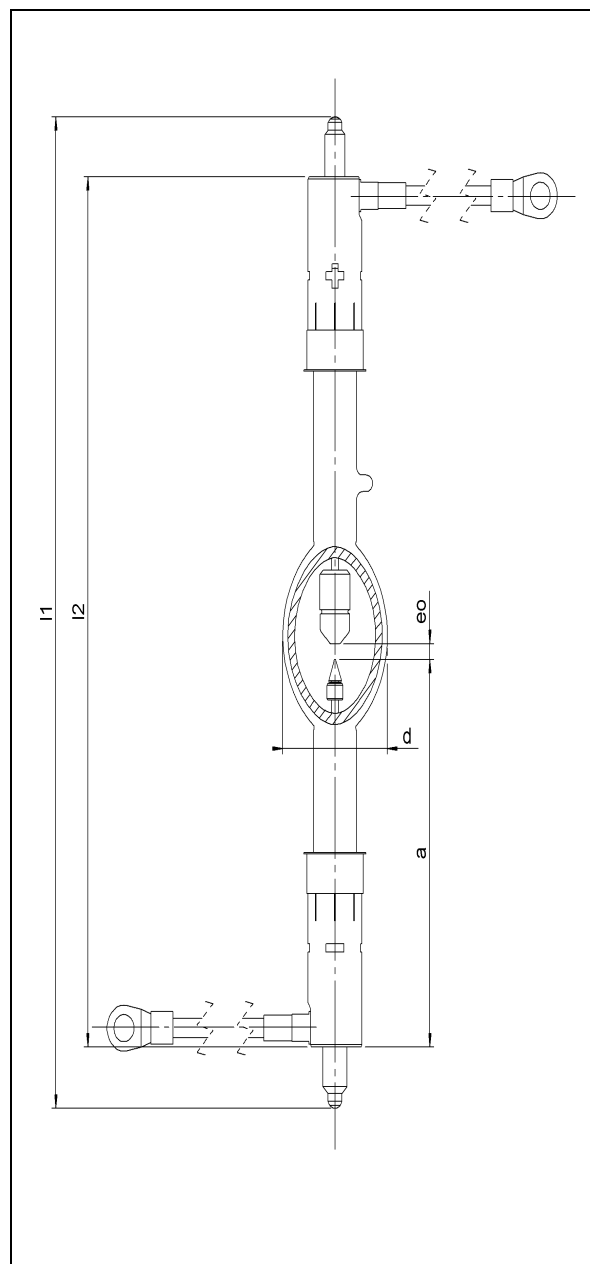
■ Product description

The OSRAM XBO[®] 2500 W OFR is a DC -operated lamp that is especially suited for applications requiring excellent arc stability and high luminance. The OSRAM XBO[®] 2500 W OFR is designed for vertical burning position.

■ Technical data

Order reference	XBO [®] 2500 W/HS OFR	
Rated lamp wattage	W	2500
Rated lamp voltage	V	29
Rated lamp current (=)	A	85
Current control range	A	60 - 95
Ignition voltage	kV _s	33
Min. open circuit voltage for cold / hot ignition	V	75 / 85
Luminous flux	lm	100000
Luminous intensity	cd	9500
Average luminance	cd/cm ²	61000
Luminous area w x h *)	mm	1.5 x 6,0
Electrode gap e (cold)	mm	6.8
Lamp length (overall) l ₁	mm	max. 428
Lamp length l ₂	mm	max. 382
LCL a	mm	167,5
Bulb diameter d	mm	60
Average service life	h	2500
Warranty	h	2000
Base	Cathode	SFaX 27-14
	Anode	SFaX 27-13

*) w = luminance half width value; h = height of luminous area (corresponds to electrode gap, hot)



■ Lamp operation

Maximum permitted base temperature	230°C
Cooling	--
Min. air flow velocity around discharge vessel	--
Burning position	S 30 (vertical ± 30° ; anode up)